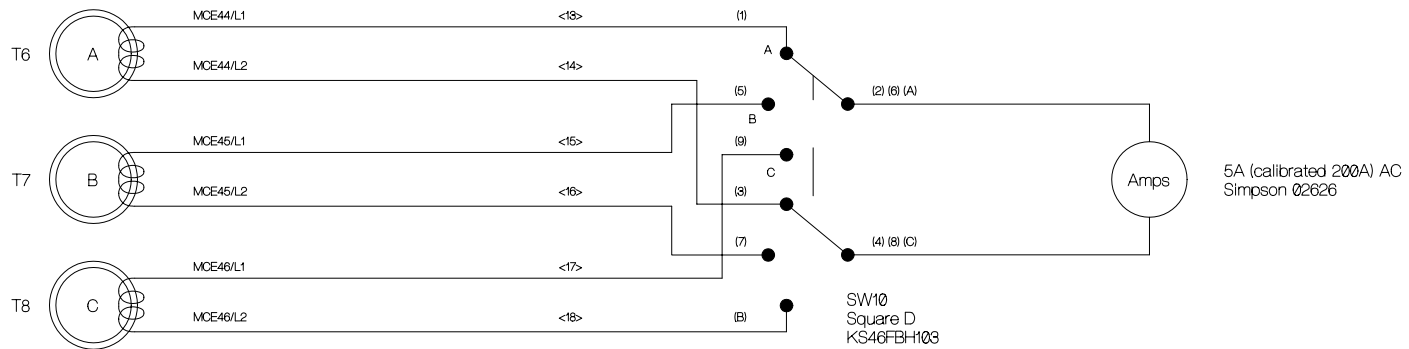


2005
Current Transformer
x 3
Square D
4210-2NR201



See drawing
3PH-POWER
for application

THREE PHASE
POWER MONITORING

ENGINEER: E. WILDE	DRAWN BY: E. WILDE	
PAGE: 1 of 1	SCALE: NONE	SHT SZ: A
FILE: PWRMON	TYPE: ELEC	
DATE: 1995 JAN 29	REV: 1.1	