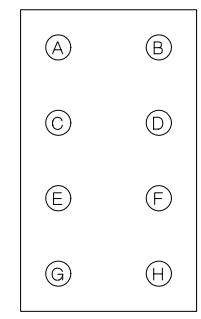


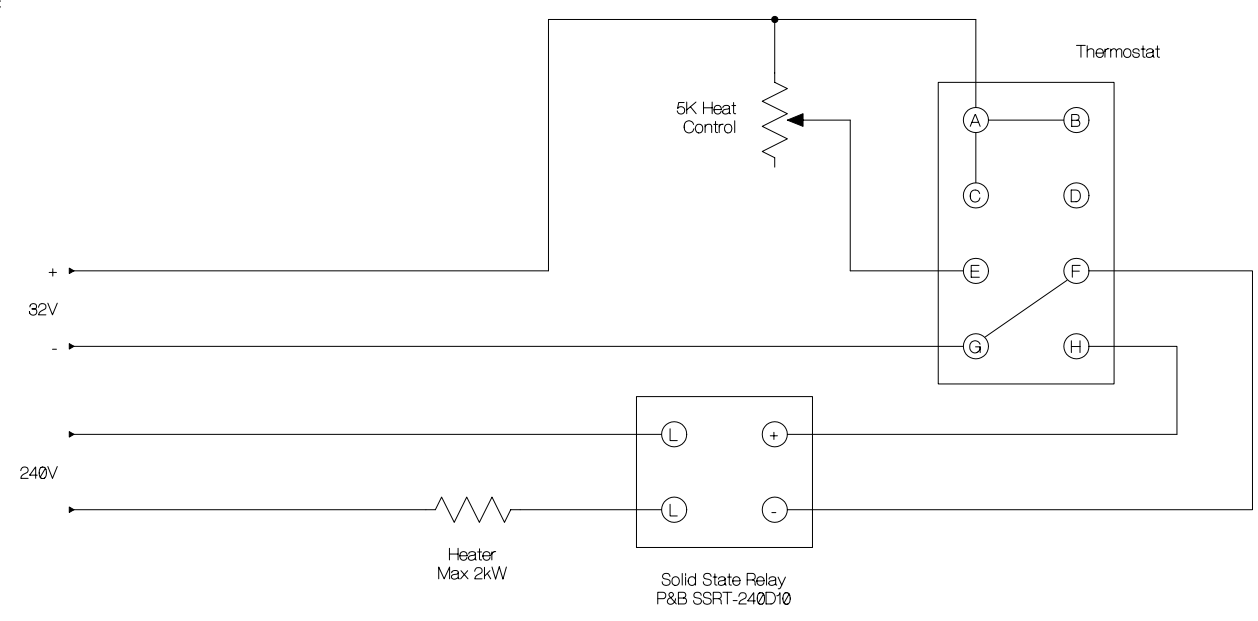
Thermostat Internal Schematic



Thermostat Pins (Plug Side)

Note: Thermostat internal wiring must be altered. Remove jumper between G and H and add wire from N/O contact (opposite D) to terminal H.

Connection of Thermostat, Heat Control, SSR and Heater



Vapor Thermostat Modifications and Connection Diagram			
ENGINEER: E. Wilde	DRAWN BY: E. Wilde		
PAGE: 1 of 1	SCALE: 4:1	SHT SZ: A	
FILE: vapor	TYPE: electric		
DATE: 1998 Oct 6	REV: 1/0		