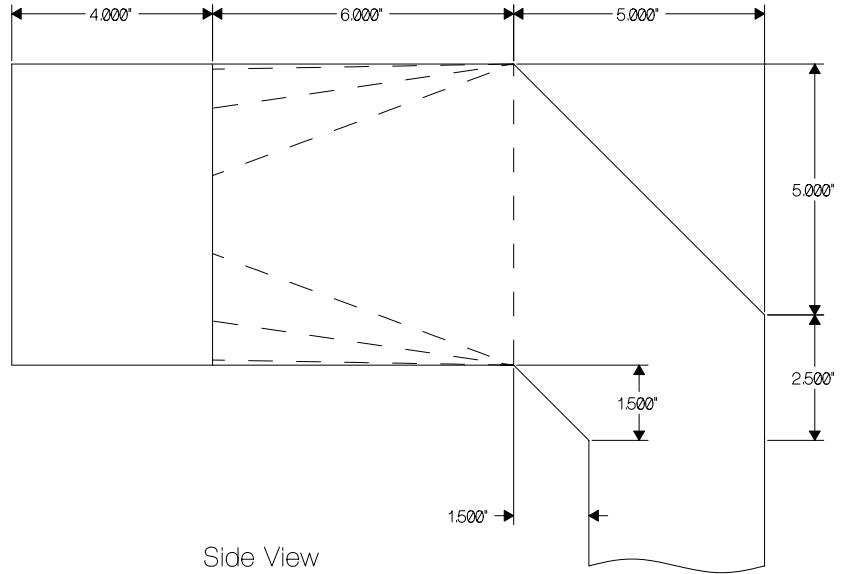
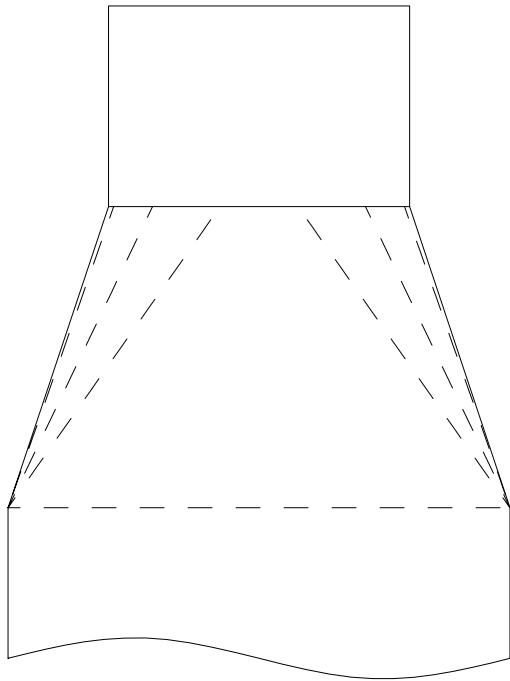


End On View



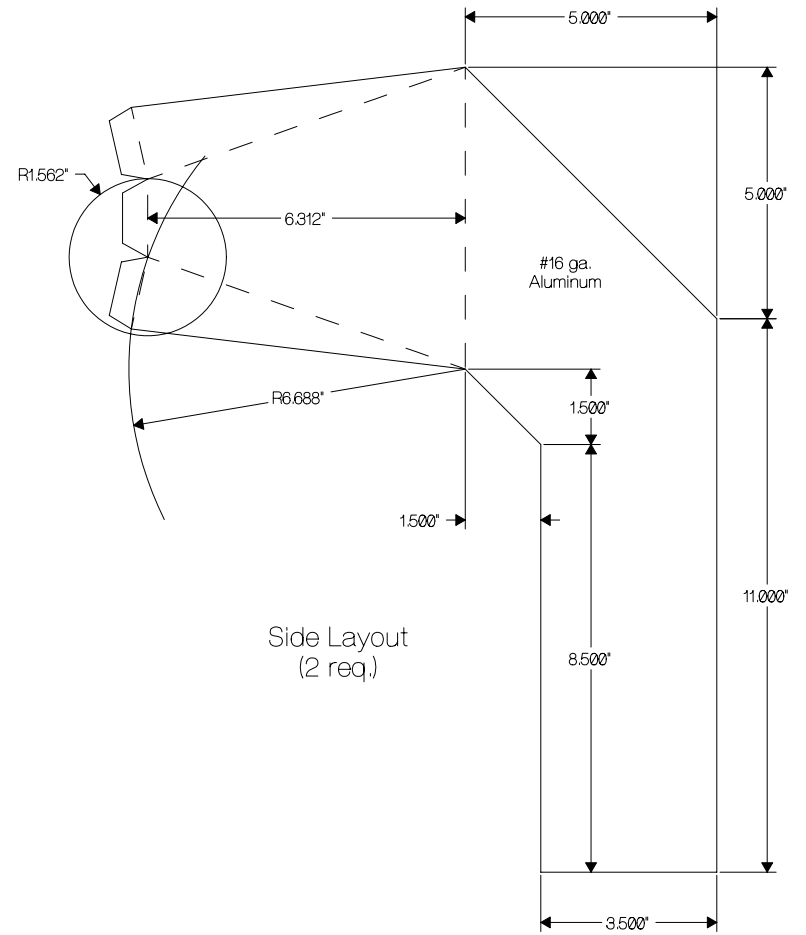
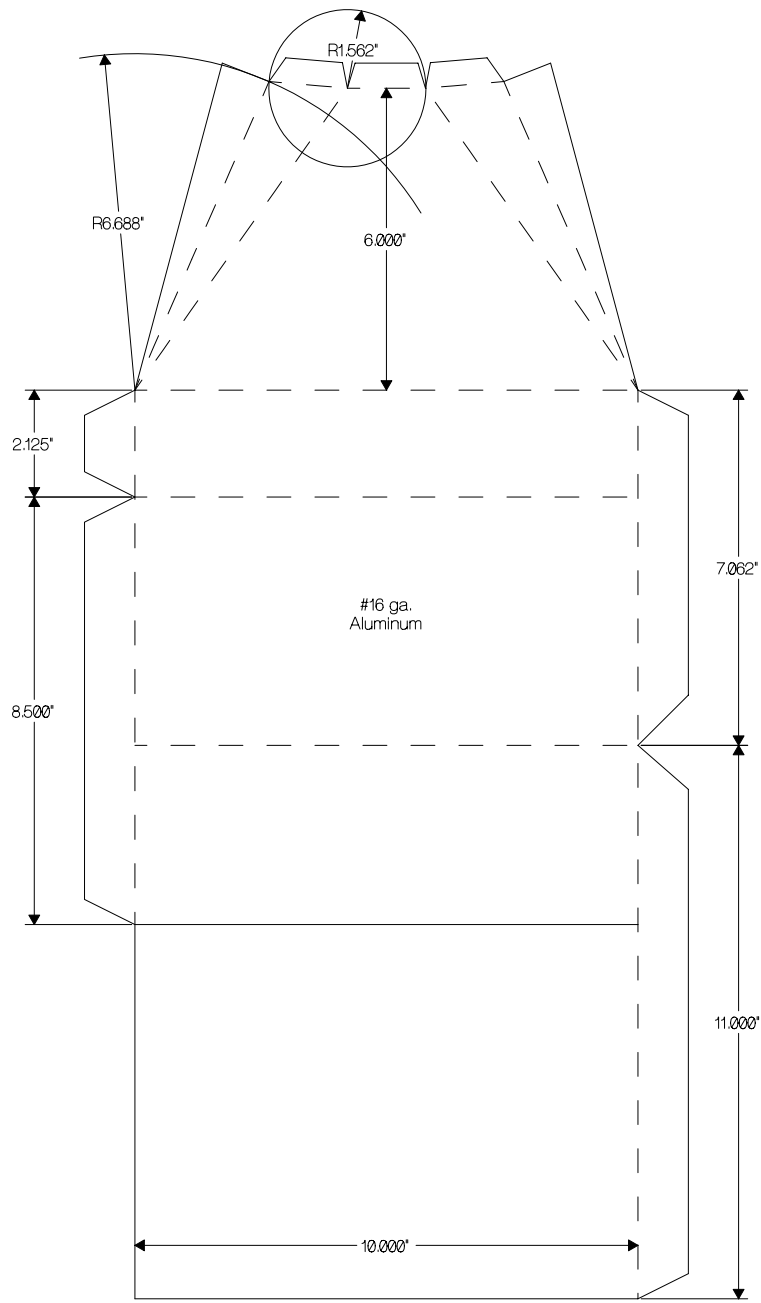
Side View



Top/Bottom View

RANGE HOOD
TRANSITION ELBOW

ENGINEER: E. WILDE	DRAWN BY: E. WILDE
PAGE: 1 of 2	SCALE: 4:1 SHT. SZ.: A
FILE: TRANSEL	TYPE: MECH
DATE: 96 JAN 2	REV: 1.0



RANGE HOOD
TRANSITION ELBOW

ENGINEER: E. WILDE	DRAWN BY: E. WILDE	
PAGE: 2 of 2	SCALE: 4:1	SHT SZ: A
FILE: TRANSEL	TYPE: MECH1	
DATE: 96 JAN 2	REV: 1.0	